



Euro - props according to DIN EN 1065

Manual

Euro props class A
with female thread



Technical data:

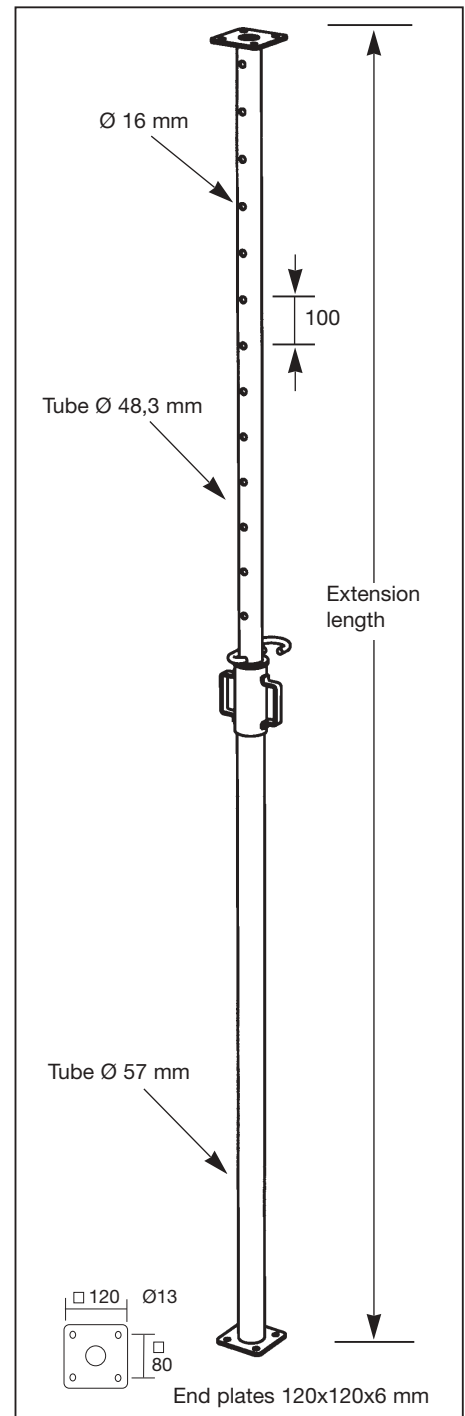
Name: A 30 Dimension: 1,87 m - 3,0 m Weight: 13 kg Order no.: 30630

General note:

Only components in perfect status and original equipment may be built.
Props take place holohedral with the end plates.
Bracing group with brace clamps may be built.
The rules for prevention of accidents must be kept.

Load carrying capacity: $R_A = \frac{51,0}{1,7} * \frac{l_{max}}{l^2} \leq \frac{44,0}{1,7}$ (kN)

Extension length (m)	A 30 (kN)
3,0 m	10,0
2,9 m	10,7
2,8 m	11,5
2,7 m	12,3
2,6 m	13,3
2,5 m	14,4
2,4 m	15,6
2,3 m	17,0
2,2 m	18,6
2,1 m	20,4
2,0 m	22,5
1,9 m	24,9
1,8 m	25,9
1,7 m	25,9



Technical subjects to change 12.02.2014

Müller + Baum Construction equipment · Scaffolding GmbH & Co. KG
 Birkenweg 52 · 59846 Sundern/Hachen · Postbox 2045 · 59837 Sundern/Hachen
 phone. +49 (0) 29 35/801-0 · fax. +49 (0) 29 35/801-42 · www.mueba.de · email. service@mueba.de